

Instruction Sheet P/N 1088423A

Mesa™ Low-level Switch Kit P/N 1083429 (Mesa 4, 6, and 9) and P/N 1083462 (Mesa 14)

06/08

This instruction sheet describes the procedure for retrofitting any Mesa adhesive melter with a tank low-level switch. The low-level switch provides a set of dry contacts that can be connected to the customer's control or indication system.

WARNING: Risk of personal injury or equipment damage! Refer to the safety information provided in the melter manual before servicing the melter. Failure to comply with the safety information provided can result in personal injury, including death.

Required Tools:

Hex wrench set
Small flat-tip screwdriver
Crimper

Medium flat-tip screw driver
Torque wrench

Disassemble the Melter

1. Operate the melter until the tank is empty, and then switch the melter off, turn off the air supply, and then disconnect and lock-out the melter's power source.

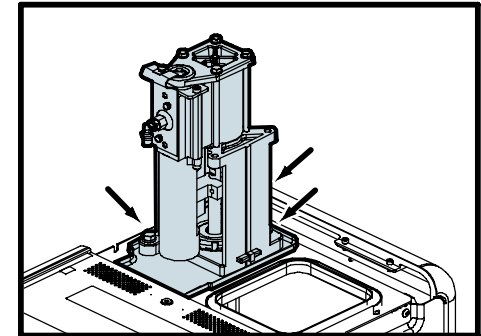
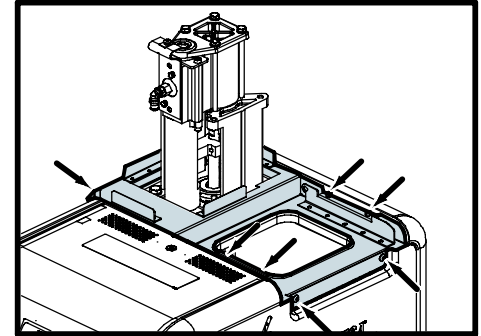
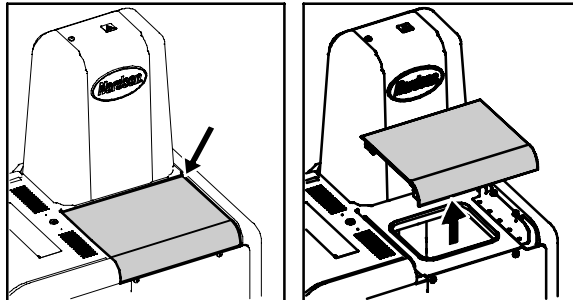
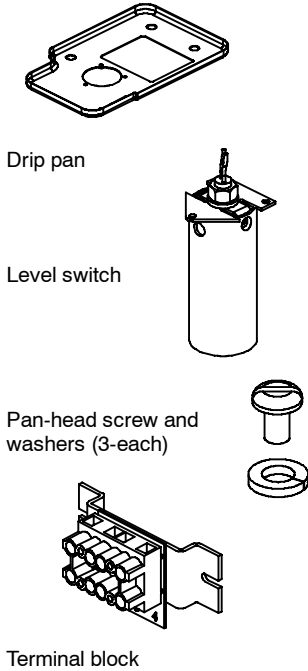
2. Open the electrical enclosure door and remove the pump cover.

3. Remove the existing tank lid by inserting a small flat-tip screwdriver in the gap between the lid and the melter frame, pressing in on the end of the spring-loaded lid hinge rod to release the rod from the pivot point, and then lifting the lid out.

4. Remove the seven screws that secure the pump/lid support bracket, and then remove the bracket. Do not discard.

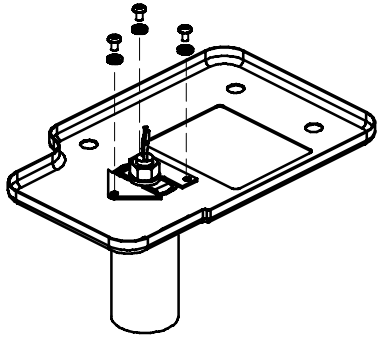
5. Disconnect the air line from the pump, and then remove the three bolts that secure the pump and drip pan. Remove the pump and drip pan.

Continued on back



Install the Level-switch and Re-assemble the Melter

1. Attach the level switch to the new drip pan using the three pan-head screws and washers provided.



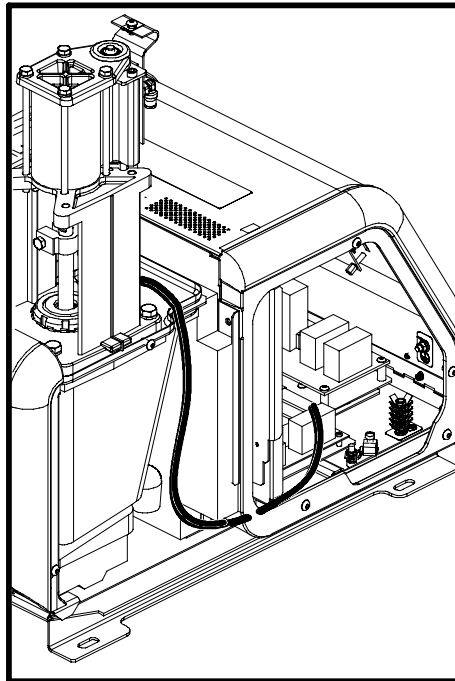
2. Install the new drip pan and level-switch assembly onto the tank cover, and then re-install the pump and air line. Tighten the three pump bolts to 8–12 N•m (6–9 Lb•ft)

3. Remove the left-side panel from the melter.

4. Route the level switch leads over the edge of the drip pan, along the air line, and then through the passageway into the electrical enclosure.

Secure the level switch leads to the air line using wire ties provided.

Adjust the sliding door on the electrical enclosure bulkhead to make room for the leads.



5. Connect the level-switch leads to the top terminals 1 and 2 on the terminal block provided, and then attach the terminal block to the electrical enclosure bulkhead.

Note: Use one of the available knockouts on the floor of the electrical enclosure to route customer wiring to bottom terminals 1 and 2 on the terminal block.

Note: The level-switch is rated for the following resistive currents. If higher current is required, Nordson Corporation offers an optional Input/output card (P/N 1036607) that is rated at 240 VAC 2 A or 30 VDC 2 A.

220 VAC - 0.14 A
110 VAC - 0.28 A
120 VDC - 0.07 A
24 VDC - 0.28 A

6. Re-install the pump/lid support bracket, right-side panel and pump cover, and then close the electrical enclosure door.

7. Place the melter back into operation.

